

FLYBOX[®]



Video Grabber

Document release 1.2, 05/11/2020

Page intentionally left blank

SECTIONS

VIDEO GRABBER INSTALLATION

USING THE VIDEO GRABBER

TECHNICAL SPECIFICATIONS

Thank you for purchasing a Flybox® product. We hope it provides many years of service to you, becoming a useful instrument for easy and immediate consultation.

SYMBOLS USED IN THE MANUAL



NOTE: Used to highlight important informations.



CAUTION: Used to warn the user and indicate a potentially hazardous situation or improper use of the product.



WARNING: Used to indicate a dangerous situation that can cause personal injury or death if the instruction is disregarded.



NOTE: Keep this manual in the aircraft.

This document must accompany the instrument in the event of change of ownership.



NOTE: This device is intended for installation onto non type certified aircraft only, because it has no aviation certifications. Refer to your local aviation authorities to check if this device may be installed in your aircraft.



CAUTION: Read entirely this manual before installing the instrument in your aircraft, and follow the installation and operating instructions described here.



CAUTION: The pilot must understand the operation of this instrument prior to flight, and must not allow anyone to use it without knowing the operation. Don't use this instrument in flight until you are sure of the correct operating of the same.



CAUTION: This instrument cannot be used under any circumstances to conduct flights in IMC conditions.



CAUTION: When the installation is finished you must do a test, prior to flight, switching on all the possible source of electric noise and checking the properly operation of this instrument.



CAUTION: Using this instrument over the maximum allowable ranges can cause malfunction or wrong indications.



CAUTION: The software of this instrument can be subject to change, update, addition or removal of functions, so also the operating mode of the instrument can be subject to change. Always refer to the installation and operating manual updated with the software version used in your instrument. To obtain updated software and manuals, please visit www.flyboxavionics.it.



WARNING: Responsibility for installation lies entirely with the installer. Responsibility for operations lies entirely with the operator. Responsibility for any calibration, alarms thresholds and activations, every customizable instruments thresholds or any other settings lies with the person performing these modifications.

IMPORTANT: If you do not agree with the notices above do not install the Video Grabber in your aircraft, but return the product for a refund.

Microel s.r.l. reserves the right to change or improve its products. Information in this document is subject to changes without notice.

INDEX

SECTION 1 - Video Grabber installation	
1.1 - Mechanical installation	9
1.2 - Electrical installation	10
SECTION 2 - Using the Video Grabber	
2.1 - Using the Video Grabber.....	11
SECTION 3 - Technical specifications	
3.1 - Technical specifications	12

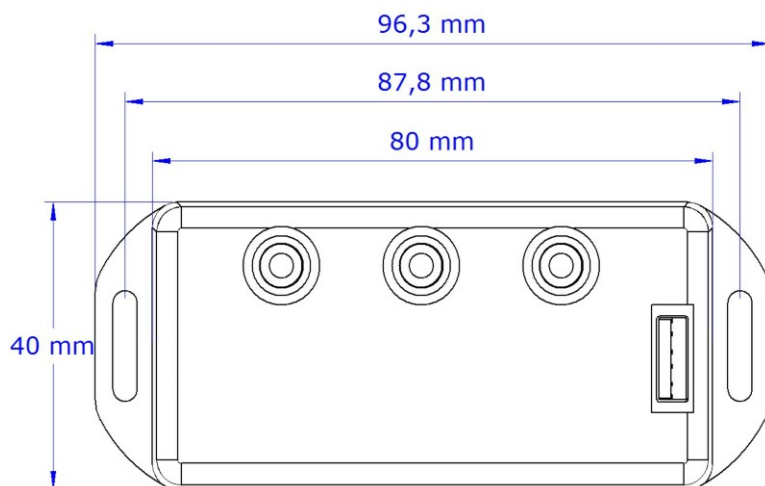
Page intentionally left blank

SECTION 1

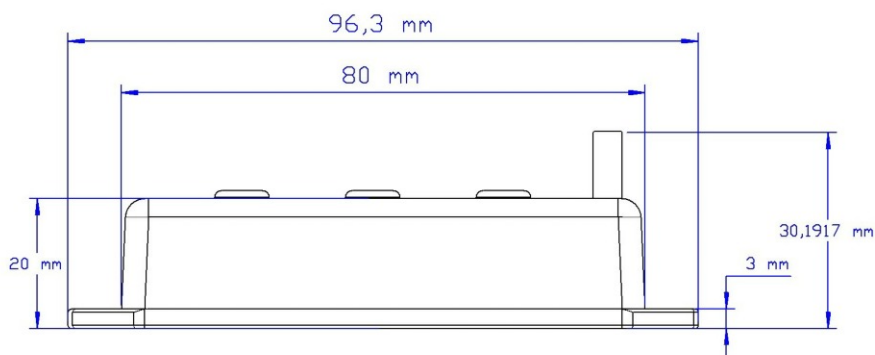
1.1 MECHANICAL INSTALLATION

- 1) Avoid placing in hot locations
- 2) Screw the Video grabber with two screws in the appropriate mounting hole

Front view

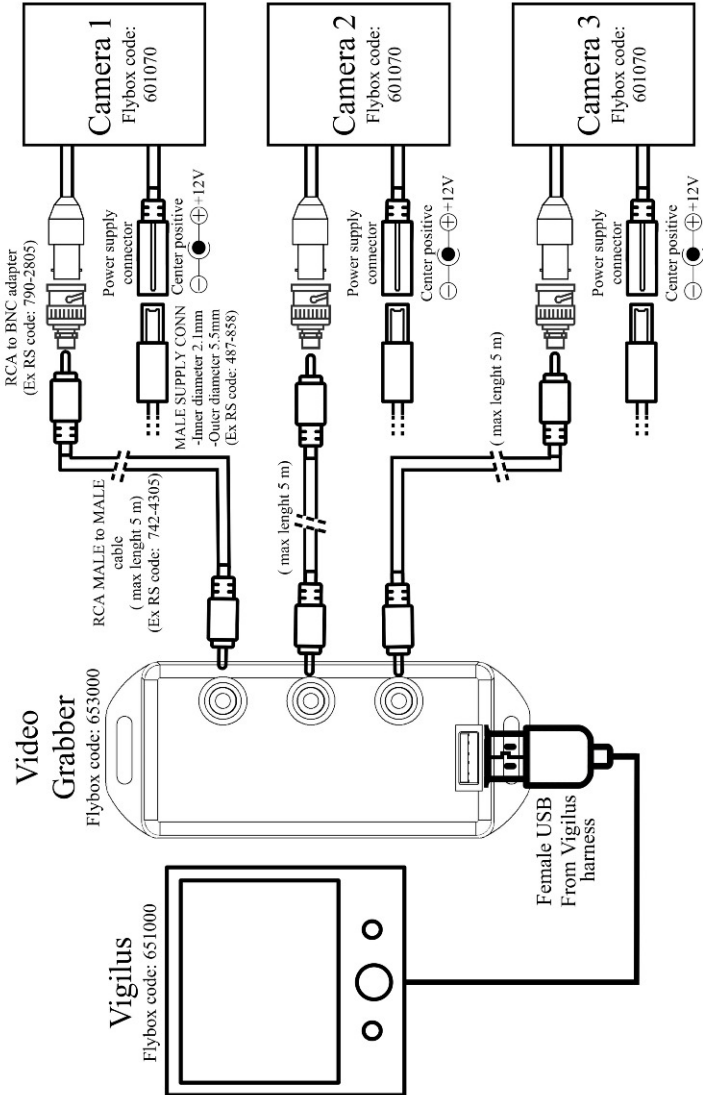


Side view



SECTION 1

1.2 ELECTRICAL INSTALLATION



CAUTION: Any connection MUST be done after turning off the cameras and Vigilus to avoid damaging the device.

SECTION 2

2.1 USING VIDEO GRABBER

To use Video grabber follow the Vigilus operating manual indications.



NOTE: the Video Grabber works only with **Flybox Vigilus**

SECTION 3

3.1 TECHNICAL SPECIFICATIONS

- Dimensions: 96.3 x 40 x 30.2 mm.
- Weight: 43 g.
- Operating temperature range: -20 ~ +70°C.
- Power supply: 5 Vdc (from USB connection)
- Supply current: 60mA
- Connections via RCA and USB cables
- 3 RCA Video inputs for composite cameras

WARRANTY:

This product is warranted to be free from defects for a period of 12 months from the user invoice date.

The warranty only covers manufacturer defects and shall not apply to a product that has been improperly installed, misused or incorrect maintenance, repaired or altered by non-qualified persons.

This warranty shall not apply to any product that has been disassembled.

Date	Revision	Description
18/10/18	1	First release
29/05/19	11	Added wiring diagram
05/11/20	12	Added power supply male connector info on wiring diagram

WARNING: All photos, data, drawings, instruments layouts, technical solutions and data representation you find in this document or watching at Flybox® instruments working and/or you can access by means of any other media, including web sites, are sole property of MICROEL s.r.l., cannot be copied or imitate without a written permission of MICROEL s.r.l. itself and are protected by law, even by means of extended international copyright and/or specific patents deposited. Any infringement of this statement and of MICROEL s.r.l. intellectual property will be prosecuted.

©2018 Microel s.r.l. – all rights reserved.

Page intentionally left blank

MICROEL s.r.l.
Via Mortara 192-194
27038 Robbio (PV) - ITALY
Tel +39-0384-670602 - Fax +39-0384-671830
www.flyboxavionics.it