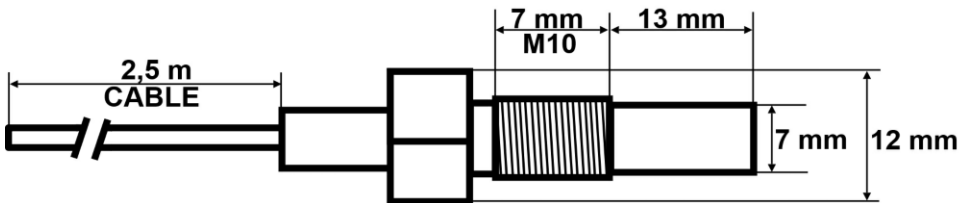
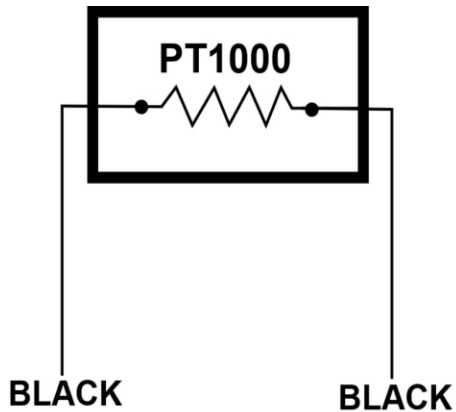


Dimensions for CAT Probe cod.601030

Dimensions:



Electrical connections for CAT Probe cod.601030



Technical specifications

| | |
|------------------------------|------------------------|
| <i>Sensor type</i> | <i>PT1000</i> |
| <i>Sensor design</i> | <i>Cylindrical M10</i> |
| <i>Operating temperature</i> | <i>-40 ~ +200 °C</i> |
| <i>Cable length</i> | <i>2,5 m</i> |
| <i>Material</i> | <i>Brass</i> |